



PFD Close Control Unit Stands

Installation Manual

Instructions for :-

KS6-250 to fit Mitsubishi Electric PFD-P250VM-E

KS6-500 to fit Mitsubishi Electric PFD-P500VM-E

Contents

Page

- | | |
|----------|----------------------------------|
| 2 | Health and safety |
| 3 | Installation instructions |

The Mitsubishi Electric PFD close control unit should be installed in accordance with the installation instructions supplied with the unit.

Health and Safety

The PFD stands should be installed following Health and Safety guidelines to protect personnel from injury.

Use mechanical aids

- Eliminate or minimise risk through redesigning or repackaging before you proceed to use mechanical aids to handle large, bulky, awkward items.
- The first preference is to eliminate the need for manual handling by using powered mechanical aids such as forklifts or powered pallet movers.
- Where it is not possible to use powered mechanical aids, consider using other mechanical aids such as trolleys or hand pallet jacks to reduce exposure to manual handling risk.
- Issues such as package design, weight and size, frequency of handling, ease of access to the item to be moved, obstacles along the path of movement, work at height, storage/picking location, item stability, and the distance the item is to be moved will determine the most appropriate aids.
- The effectiveness of any solution involving mechanical aids depends on selecting the correct equipment for the application, maintaining it in a condition fit for its purpose, and ensuring that workers who will be using the equipment receive the necessary training and supervision.

Use a team lift or other administrative control

- Team lifting and other administrative controls are the least preferred option when handling large, bulky or awkward items.
- Team lifting and other administrative controls should only be used in circumstances where options for redesign or using mechanical aids have been investigated and are not practicable, although there may be situations where team lifting and/or other administrative controls may be used to supplement other control measures. Specific

PFD Stand - Installation Instructions

Ensure that the area for the installation is clear and free of any loose debris.

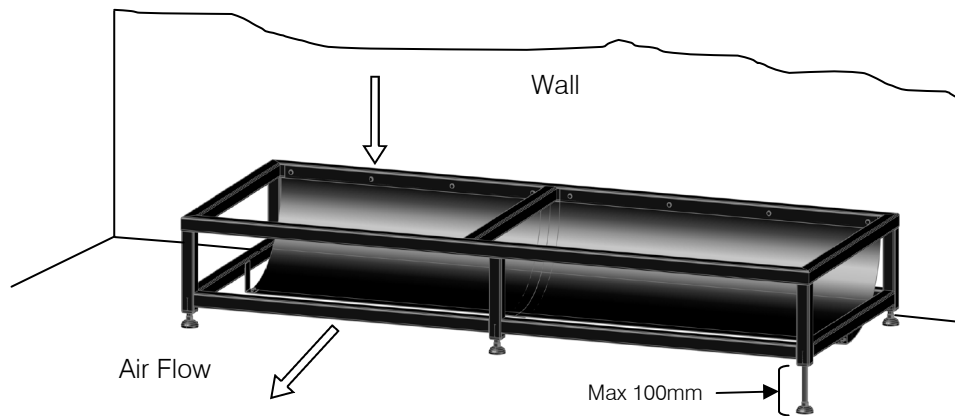
Using the individual adjustable feet ensure the frame provides a level surface for the PFD unit to be mounted securely.

Care should be taken not to extend the feet beyond 100mm from the bottom of the frame.

Stand Weights

KS6-250 23kg

KS6-500 30kg



Disclaimer

Warranty:

All products manufactured on behalf of Mitsubishi Electric UK are warranted against defective materials for a period of three years from the date of delivery to the original purchaser.



Warning:

Mitsubishi Electric UK assumes no liability for damages consequent to the user of this product. We reserve the right to change this manual at any time without notice. The information furnished by us is believed to be accurate and reliable. However, no responsibility is assumed by us for its use, nor for any infringements of patents or other rights of third parties resulting from its use.

Please be sure to put the contact address/telephone number
on this manual before handing it to the customer.



mitsubishi electric uk

MITSUBISHI ELECTRIC UK, TRAVELLERS LANE, HATFIELD, HERTFORDSHIRE, AL10 8XB